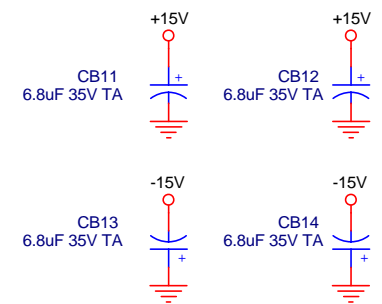
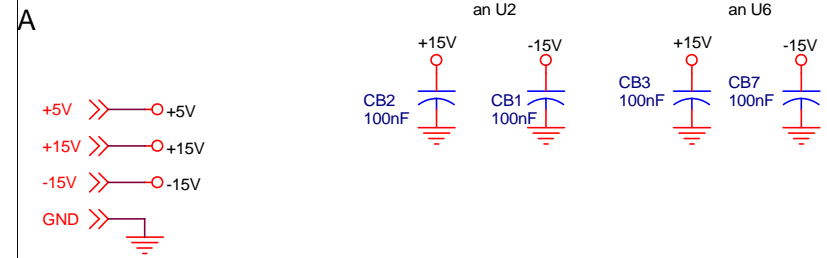
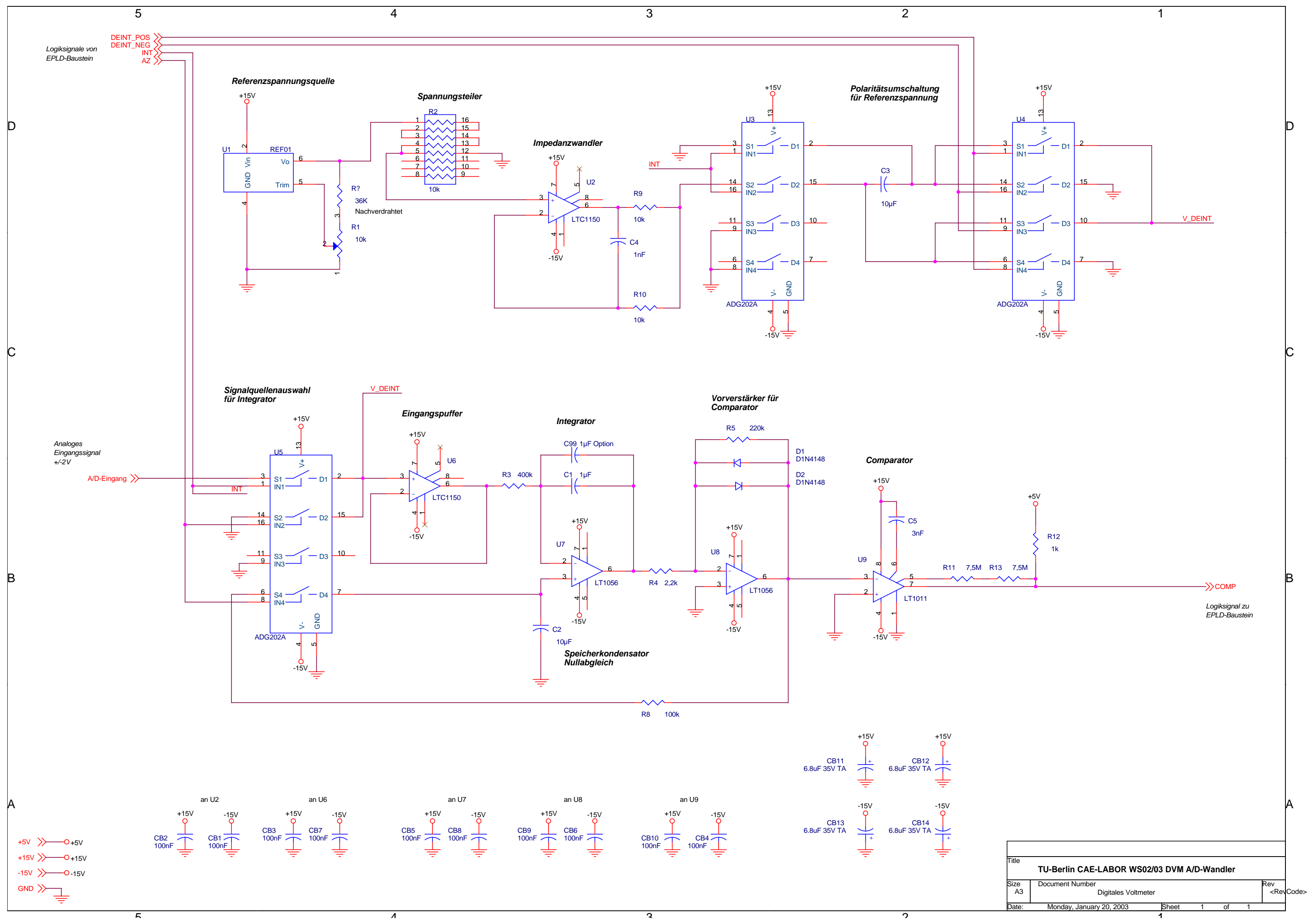


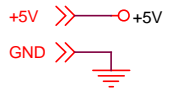
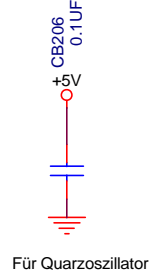
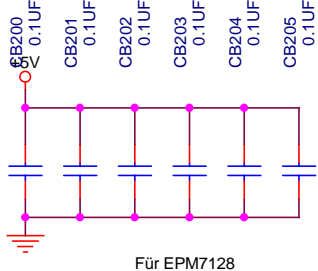
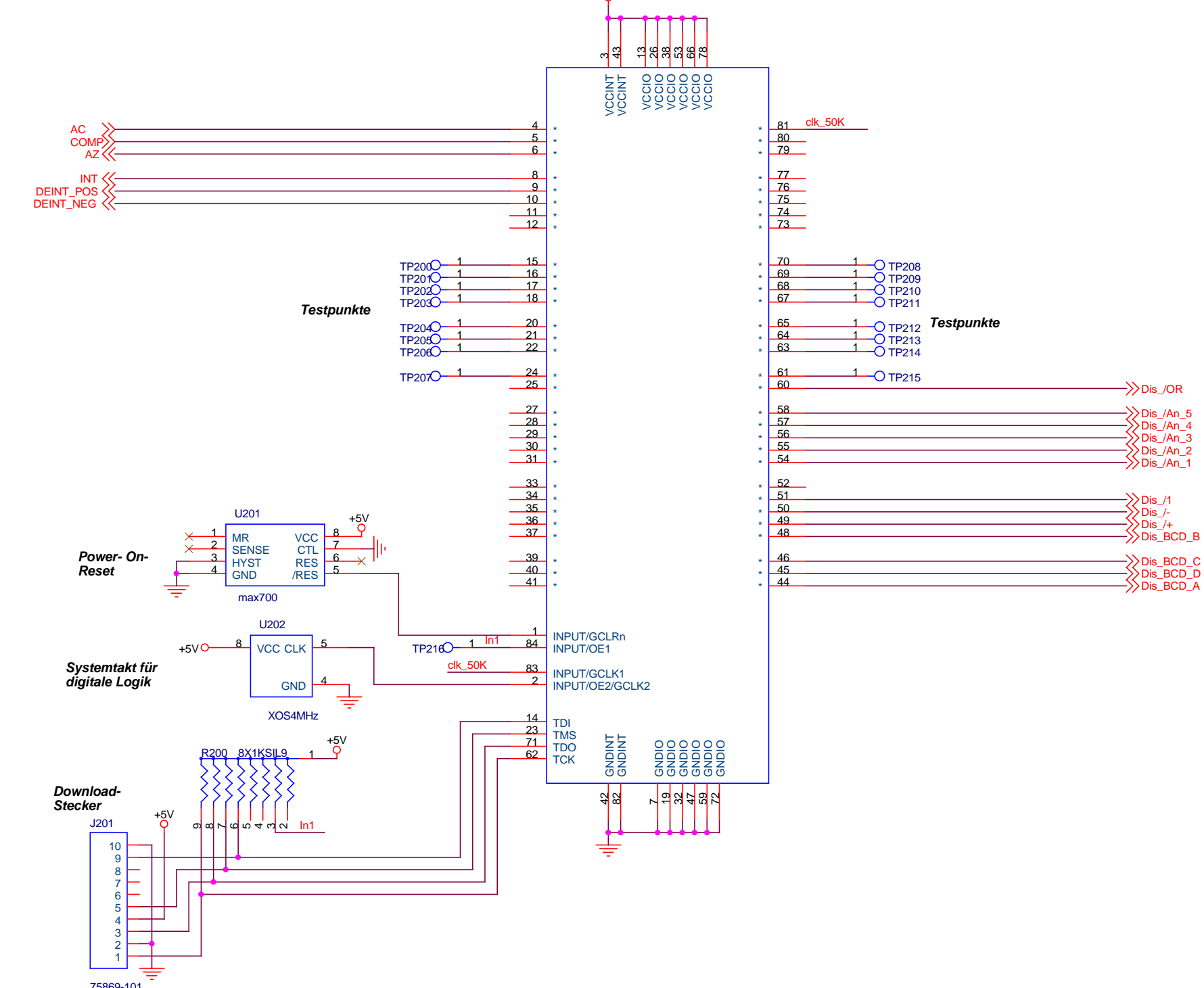
| | | | |
|-------|--------------------------|--|--------|
| Title | | TU-Berlin CAE-LABOR WS02/03 DVM Eingangsteil | |
| Size | A3 | Document Number | <Doc> |
| Date: | Monday, January 20, 2003 | Sheet | 1 of 1 |
| Rev | <RevCode> | | |



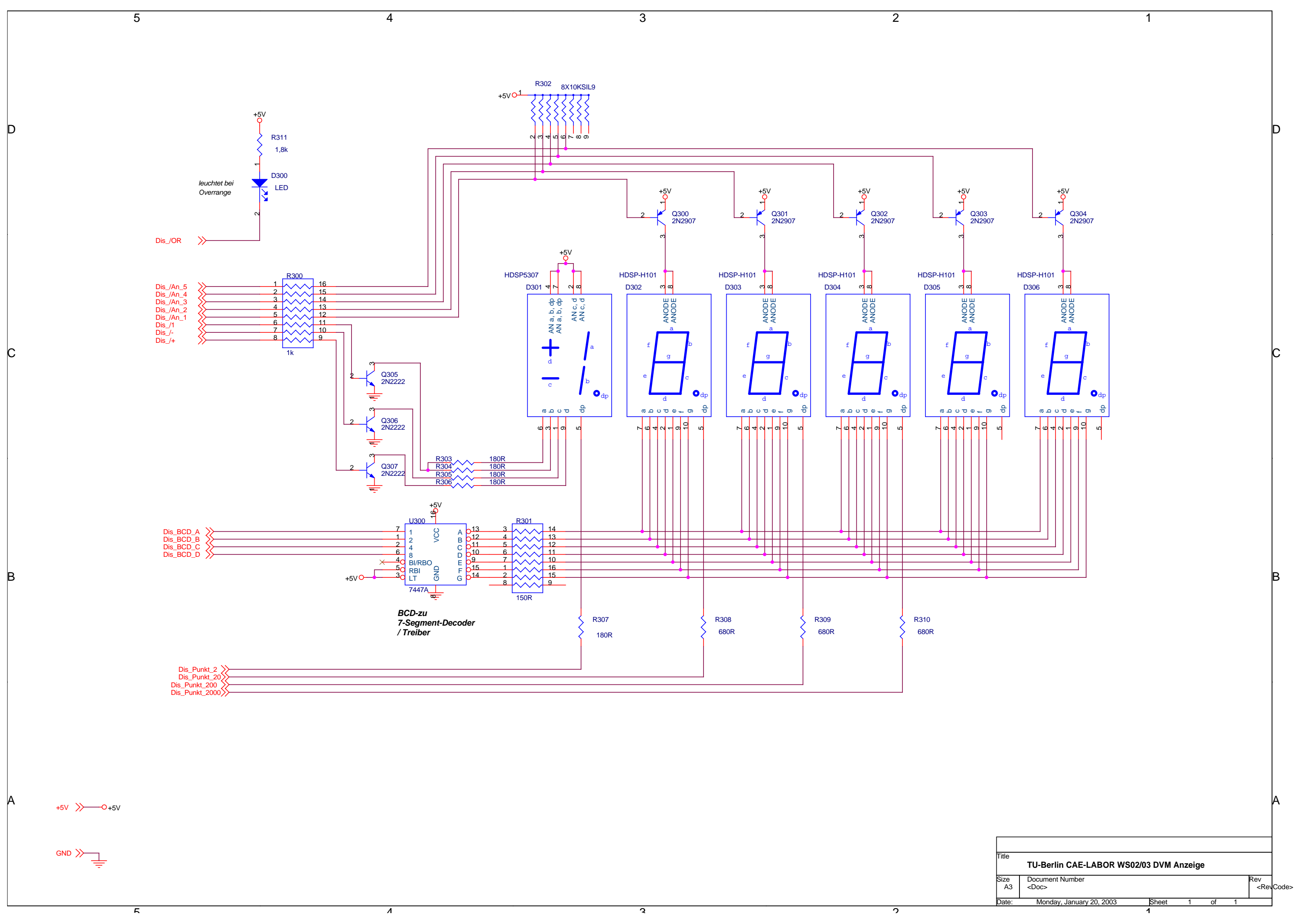
| | | |
|--|--------------------------|--------------|
| Title | | |
| TU-Berlin CAE-LABOR WS02/03 DVM A/D-Wandler | | |
| Size | Document Number | Rev |
| A3 | Digitales Voltmeter | <RevCode> |
| Date: | Monday, January 20, 2003 | Sheet 1 of 1 |

Programmierbarer Logikbaustein

U200
EPM7128SLC84



| | | |
|--------------------------------------|--------------------------|--------------|
| Title | | |
| TU-Berlin CAE-LABOR WS02/03 DVM EPLD | | |
| Size | Document Number | Rev |
| A3 | <Doc> | <RevCode> |
| Date: | Monday, January 20, 2003 | Sheet 1 of 1 |



+5V
R311 1,8k
D300 LED
leuchtet bei Overrange

Dis_/OR
R300 1k
Dis_/An_5
Dis_/An_4
Dis_/An_3
Dis_/An_2
Dis_/An_1
Dis_/1
Dis_/+
Dis_/0

Dis_BCD_A
Dis_BCD_B
Dis_BCD_C
Dis_BCD_D

Dis_Punkt_2
Dis_Punkt_20
Dis_Punkt_200
Dis_Punkt_2000

U300 7447A
+5V
VCC
A
B
C
D
E
F
G
BI/RBO
RBI
LT
GND

BCD-zu 7-Segment-Decoder / Treiber

R302 8X10KSIL9
+5V

HDSP5307 D301
AN a, b, dp
AN a, b, dp
AN c, d
AN c, d
a
b
c
d
e
f
g
dp

HDSP-H101 D302
ANODE
ANODE
a
b
c
d
e
f
g
dp

HDSP-H101 D303
ANODE
ANODE
a
b
c
d
e
f
g
dp

HDSP-H101 D304
ANODE
ANODE
a
b
c
d
e
f
g
dp

HDSP-H101 D305
ANODE
ANODE
a
b
c
d
e
f
g
dp

HDSP-H101 D306
ANODE
ANODE
a
b
c
d
e
f
g
dp

R303 180R
R304 180R
R305 180R
R306 180R

R307 180R

R308 680R

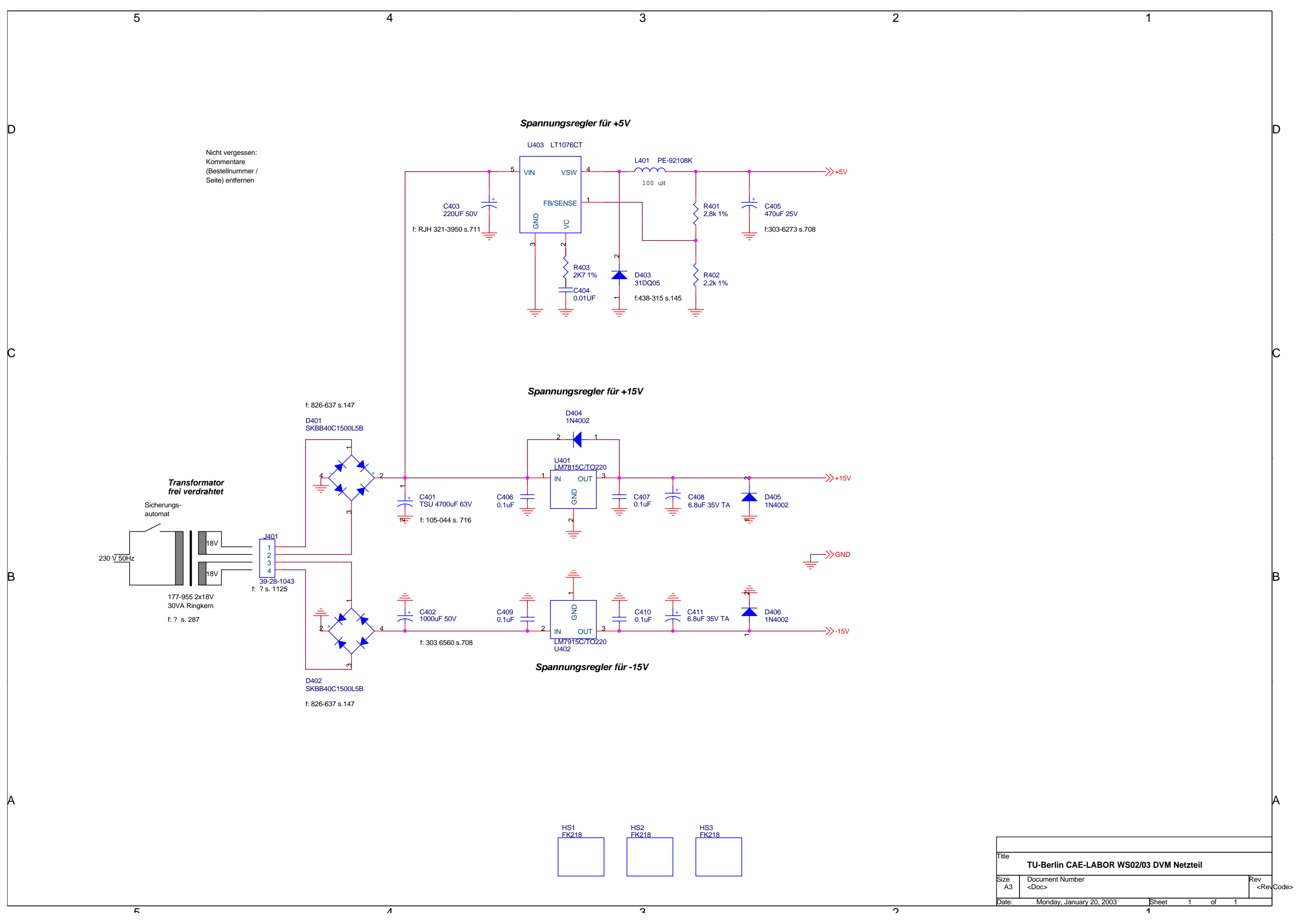
R309 680R

R310 680R

+5V

GND

| | | | |
|-------|--------------------------|---|--------|
| Title | | TU-Berlin CAE-LABOR WS02/03 DVM Anzeige | |
| Size | A3 | Document Number | <Doc> |
| Date: | Monday, January 20, 2003 | Sheet | 1 of 1 |
| Rev | <RevCode> | | |



Nicht vergessen:
Kommentare
(Bestellnummer /
Seite) entfernen

**Transformator
frei verdrahtet**



| | | | |
|-------|--------------------------|--|--------|
| Title | | TU-Berlin CAE-LABOR WS02/03 DVM Netzteil | |
| Size | A3 | Document Number | <Doc> |
| Date: | Monday, January 20, 2003 | Sheet | 1 of 1 |
| Rev | <RevCode> | | |